

# BXR-20 Safety brakes - Datasheet

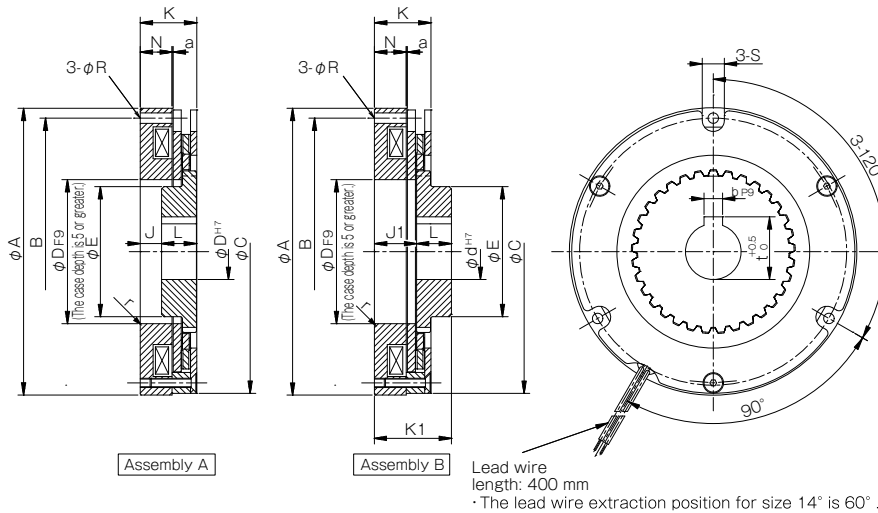
## SPLINE ROTOR HUB

### Specifications

Model	Size	Static friction torque $T_s$ [N-m]	Coil [at 20 °C]				Heat resistance class	Lead wire		Max. rotation speed [min <sup>-1</sup> ]	Rotating part moment of inertia J [kg-m <sup>2</sup> ]	Allowable braking energy rate $E_{ba\delta}$ [J]	Total braking energy $E_T$ [J]	Armature pull-in time $t_{a1}$ [s]	Armature release time $t_{ar}$ [s]	Backlash [°]	Mass [kg]
			Voltage [V]	Wattage [W]	Current [A]	Resistance [ $\Omega$ ]		UL style	Size								
BXR-06-20-005	06	5	24	17.6	0.73	32.7	F	UL1333	AWG20	5000	$3.43 \times 10^{-5}$	500	$2.0 \times 10^5$	0.050	0.020	0.5	1.0
BXR-08-20-012	08	12	24	19.4	0.81	29.7	F	UL1333	AWG20	5000	$6.75 \times 10^{-5}$	800	$2.0 \times 10^5$	0.080	0.020	0.4	1.3
BXR-10-20-016	10	16	24	21.5	0.90	26.8	F	UL1333	AWG20	5000	$2.32 \times 10^{-4}$	1500	$2.2 \times 10^6$	0.110	0.050	0.3	1.5
BXR-12-20-030	12	30	24	23.7	0.99	24.3	F	UL1333	AWG20	5000	$3.02 \times 10^{-4}$	1500	$2.5 \times 10^6$	0.120	0.030	0.3	2.5
BXR-14-20-038	14	38	24	31.0	1.29	18.6	F	UL1333	AWG20	3600	$9.41 \times 10^{-4}$	1800	$3.0 \times 10^6$	0.120	0.030	0.2	3.4
BXR-16-20-055	16	55	24	19.0	0.79	30.3	F	UL1333	AWG20	3600	$15.2 \times 10^{-4}$	2000	$3.0 \times 10^6$	0.220	0.100	0.2	4.0

• The armature pull-in time and armature release time are taken during DC switching.  
 • Backlash is the value between the rotor and rotor hub.

### Dimensions

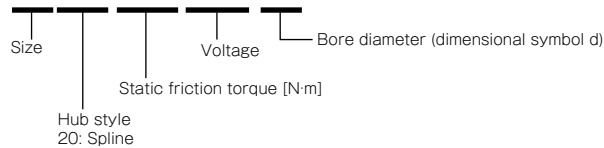


Unit [mm]

Size	Radial direction dimensions								Axial direction dimensions							Bore diameter			
	A	B	C	D	r	E	R	S	J	J1	L	N	K	K1	a	d	b	t	d max
06	83.5	76	82	47	R0.5	36	4.5	9	10.5	18	12.5	14.7	25.0	30.5	0.10	20	6	22.5	25
08	93.5	85	92	49	R0.5	42	4.5	10	11.5	20	13.5	15.7	27.0	33.5	0.10	20	6	22.5	30
10	123.5	115	122	62	R0.5	56	4.5	9.5	9	18	15	13.7	24.3	33	0.10	24	8	27	40
12	137.5	130	136	65	R1	61	4.5	12	8.7	17.7	15	12.5	25.0	32.7	0.15	24	8	27	45
14	167.5	158	166	80	R1	75	5.5	12	7.2	17.2	16	12.0	25.0	33.2	0.15	28	8	31	55
16	185	175	184	100	R1	82	5.5	12.5	13.6	24.6	18	19.4	32.8	42.6	0.20	28	8	31	65

### How to Place an Order

**BXR-14-20-038-24V-28DIN**



• Further bore diameters possible on request.



**MIKI PULLEY EUROPE AG**

**[www.mikipulley.de](http://www.mikipulley.de)**

Rheinweg 5, CH-8200 Schaffhausen, Tel: +41 52 625 24 24  
Bauhofstraße 12, D-63762 Großostheim, Tel: +49 6026 999 610



**ammertech**  
*moving forward*

Grasbeemd 21,  
5705 DE Helmond, Nederland  
Tel. +31 (0)492 594 300,

E-mail: [pr@ammertech.nl](mailto:pr@ammertech.nl),  
Internet: [www.ammertech.nl](http://www.ammertech.nl)